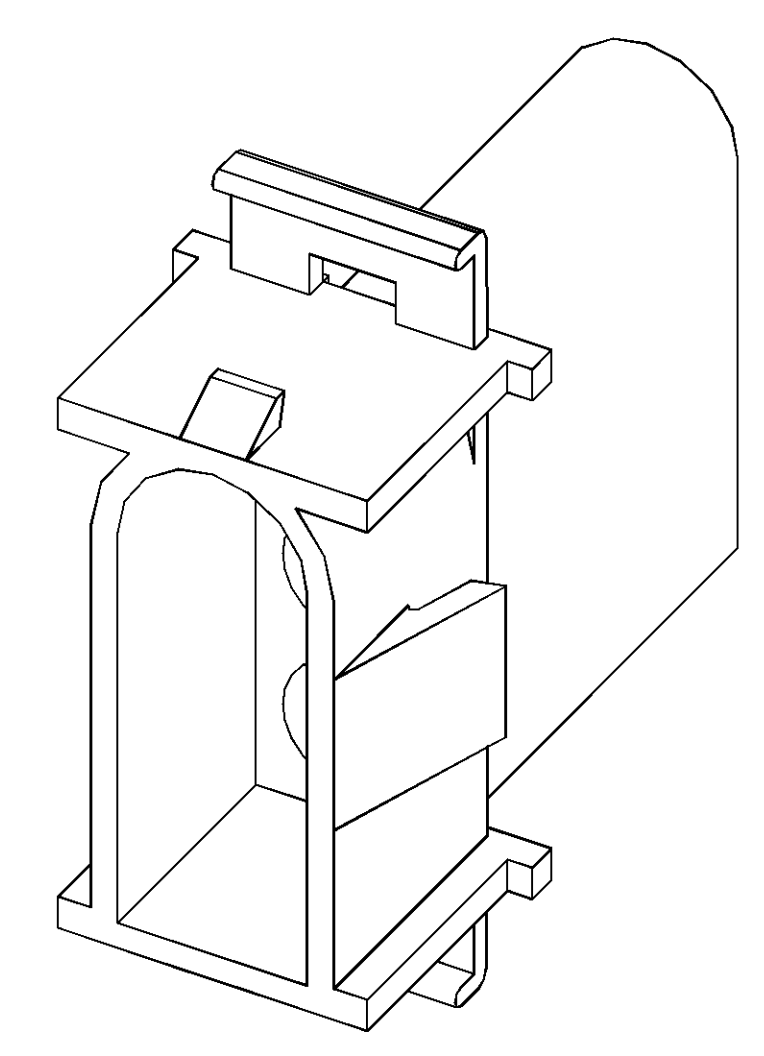
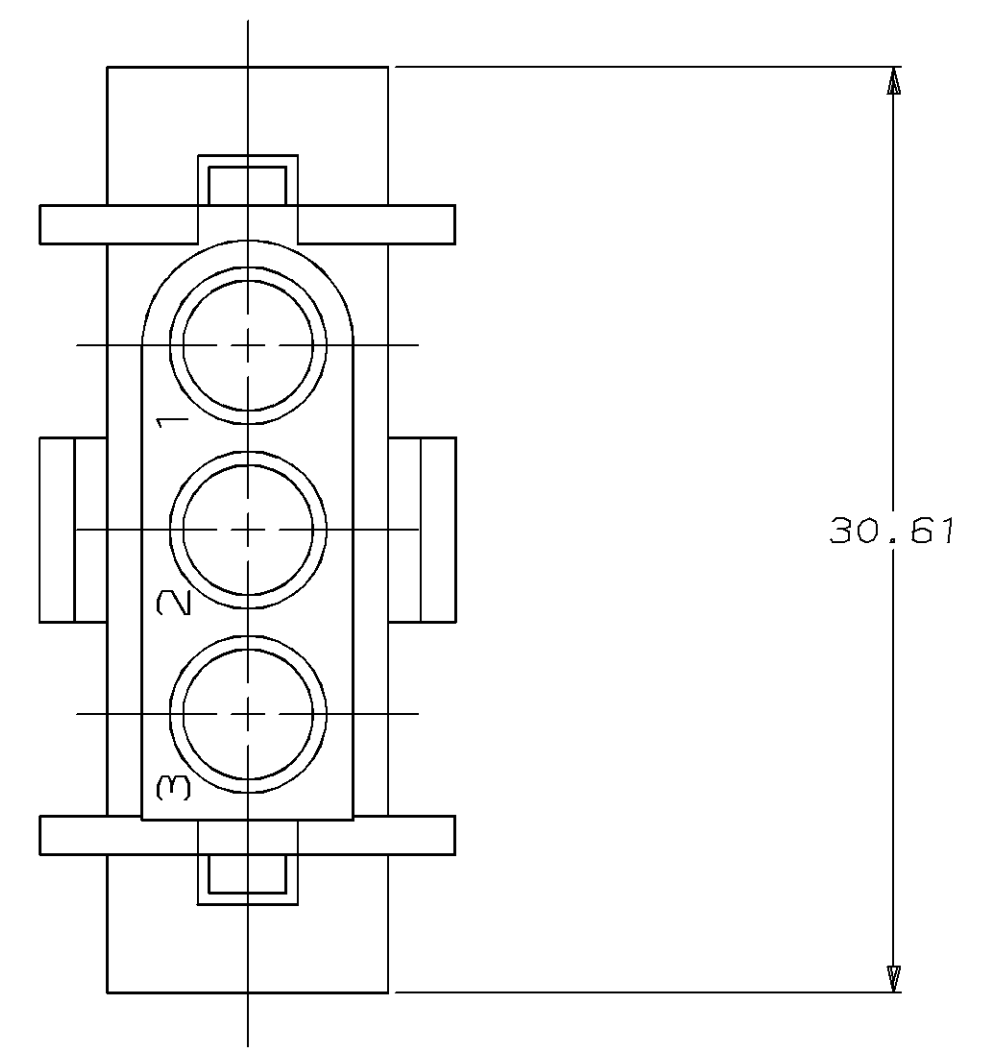
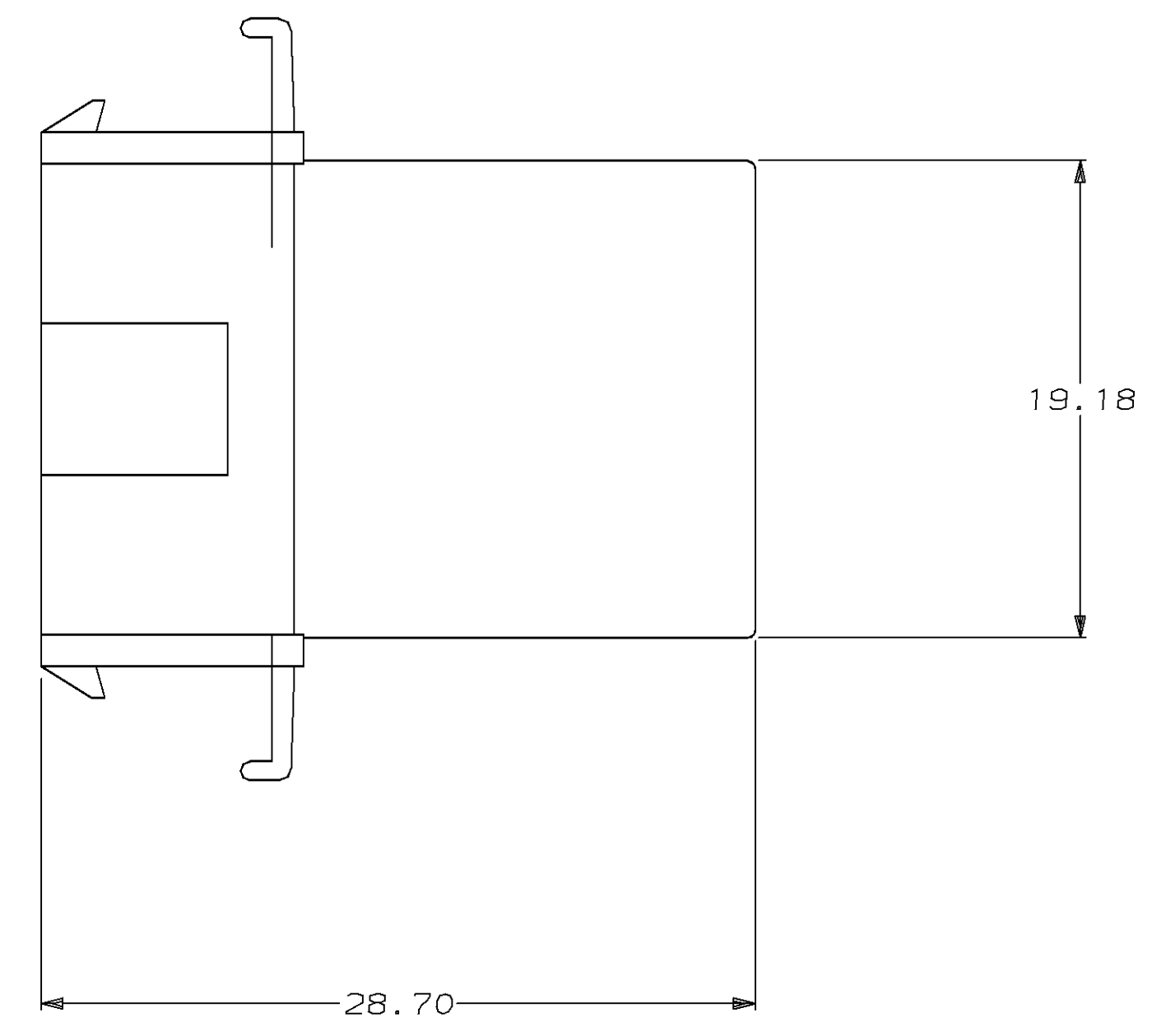
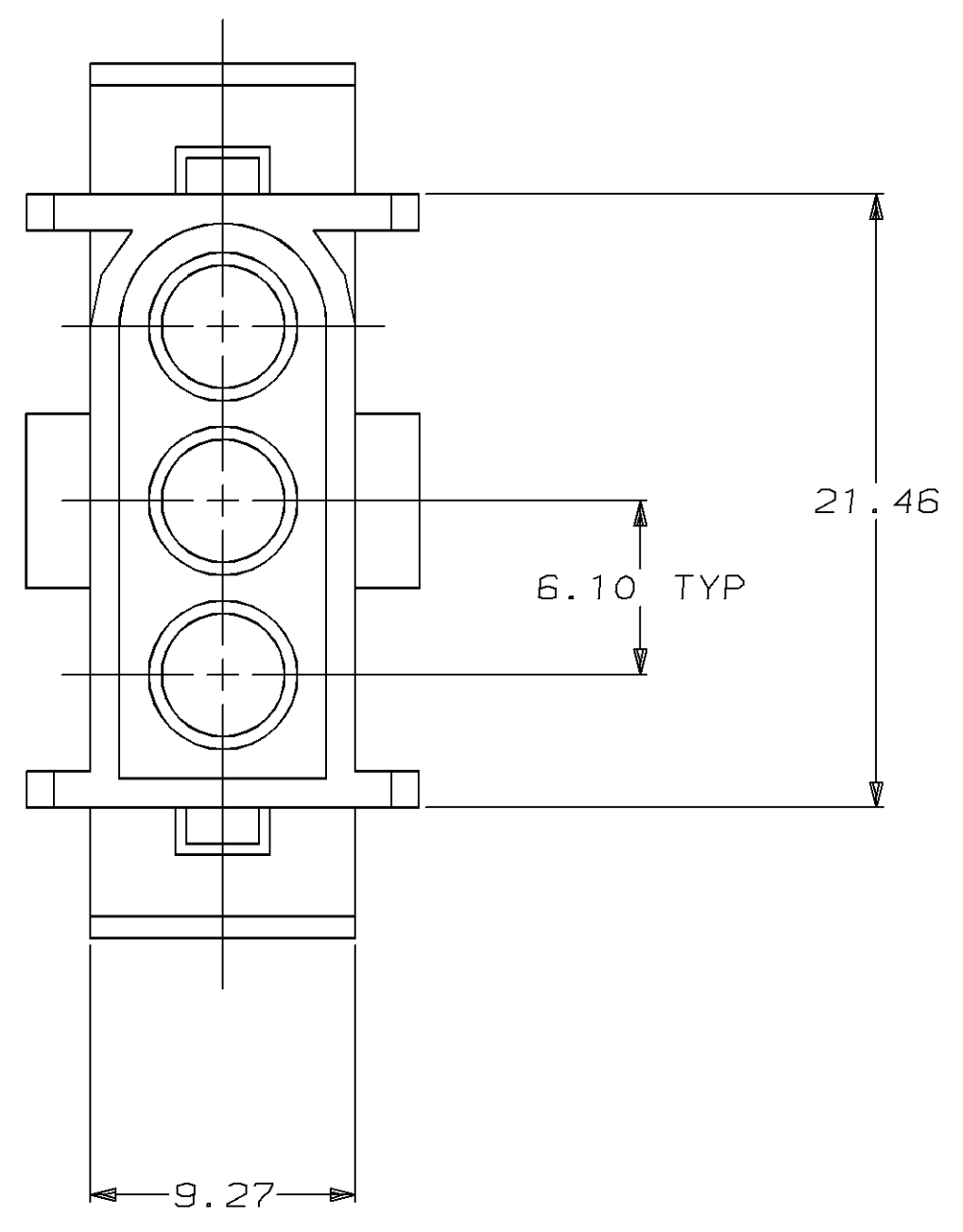
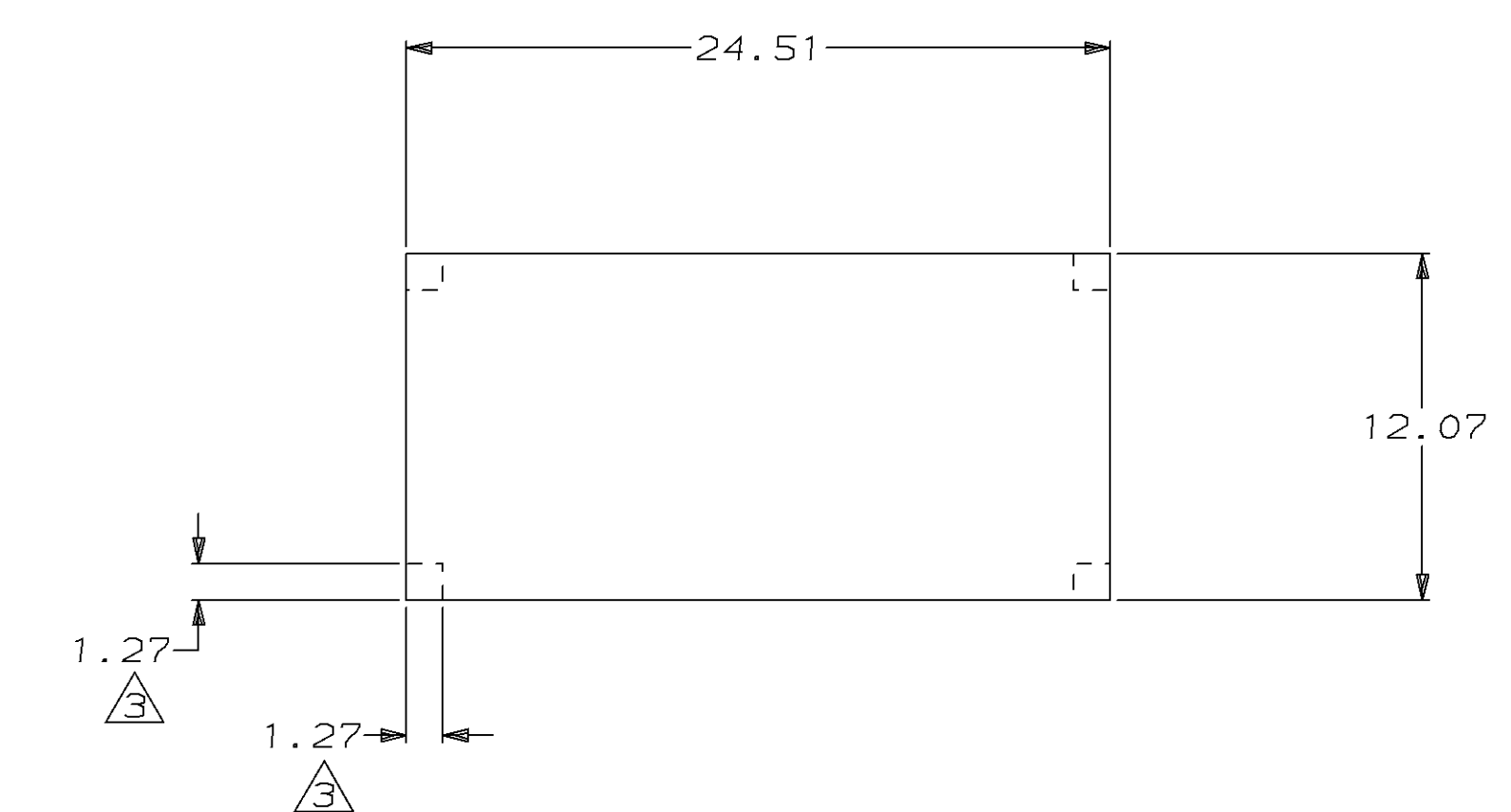
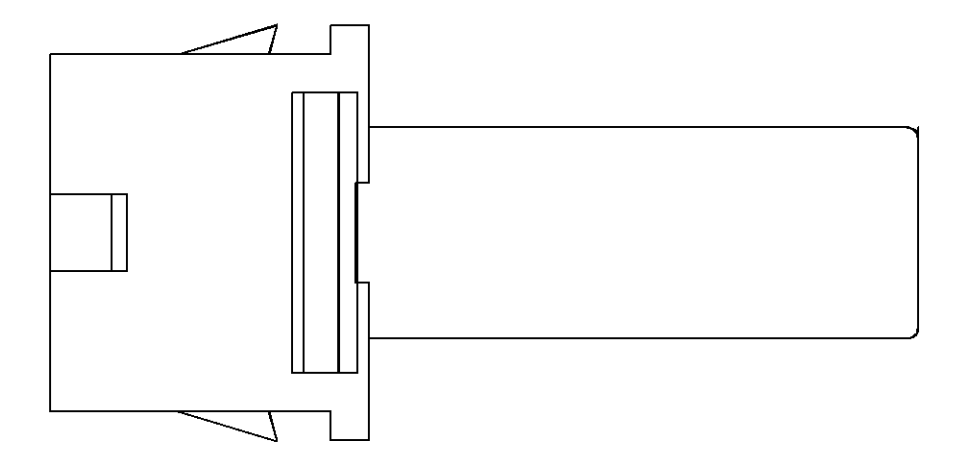


LOC		DIST		REVISIONS			
P	LYR	DESCRIPTION	DATE	DWN	APVD		
0		RELEASED PER PR CM 95-38	4-18-95	KW	RS		

1. TO BE USED WITH .140 SERIES PINS.
2. TO BE USED WITH PLUG 794060.
3. 1.27 x 1.27 TABS IN CORNERS OF CUT-OUT ARE OPTIONAL TO REDUCE HOUSING FLOAT IN PANEL.



3-DIMENSIONAL MODEL  
NTS



RECOMMENDED CUT OUT FOR  
0.76 - 1.65 THICK PANEL

794061-1  
PART NUMBER

MM	IN	MM	IN	MM	IN
3.56	.140	21.46	.845	-	-
1.65	.065	19.18	.755	-	-
1.27	.050	12.07	.475	30.61	1.205
0.76	.030	9.27	.365	28.70	1.130
0.13	.005	6.10	.240	24.51	.965
MM	IN	MM	IN	MM	IN

CONVERSION TABLE



<small>THIS DRAWING IS A CONTROLLED DOCUMENT FOR AMP INCORPORATED. IT IS SUBJECT TO CHANGE AND THE CONTROLLING ENGINEERING DEPARTMENT SHALL BE CONTACTED FOR THE LATEST REVISION.</small>		DSN: K. WHITAKER 4-18-95 DFE: R. SWING 4-18-95 PWD: C. MARTIN 4-25-95	<b>AMP</b> AMP Incorporated Harrisburg, PA 17105-3608
DIMENSIONS: mm	TOLERANCES UNLESS OTHERWISE SPECIFIED: Ø PLG ±.010 PLG ±.013 PLG ±.015 ANGLE ±.005 FINISH -	PRODUCT SPEC: - APPLICATION SPEC: - WEIGHT: -	NAME: CAP, 3 CIRCUIT, .140 MATE-N-LOK™ SIZE: A1 CAGE CODE: 00779 DRAWING NO: 794061 SCALE: 4:1 SHEET: 1 OF 1 REV: 0
MATERIAL: NYLON, UL 94V-2, BLACK		CUSTOMER DRAWING	